

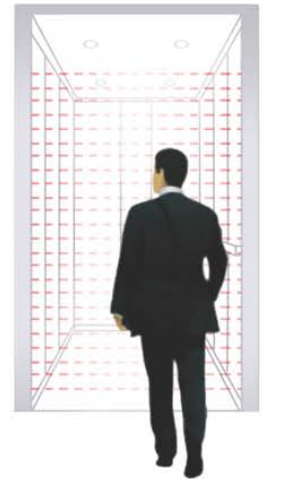
Automatic Elevator

Whether you are planning for a high rise, high performance, high speed or simply high specification solution, we offer a range of elevators and innovations that were developed with these needs in mind.

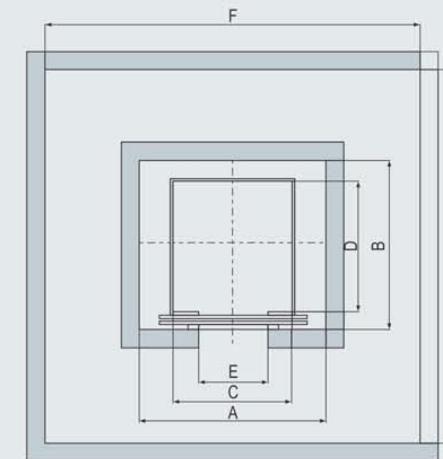
Elevators are the main transportation arteries in the modern building and are vital in determining a building's economic success.

We manufacture all types of passenger lifts of different capacity and speed. Our latest passenger lifts comprises of V3F Close & open loop microprocessor Controller with sophisticated steel car & latest electronic components that has low power consumption and are also maintenance free. We offer different types of cabins using material such as M.S., S.S., Glass. We provide latest version of Auto doors for cabin and landings which are specially designed in Germany with superior technical precision.

Infrared Light Curtain Protection



Hoistway Machine Room Plan For Auto Door



Hoist Way Machine Room Size Passenger Lift With Auto Doors

LOAD		LIFT WELL		CAR INSIDE		ENTRANCE	MACHINE ROOM			SPEED UP TO 1 m/s.	
PERSON	WEIGHT	WIDTH	DEPTH	WIDTH	DEPTH		WIDTH	DEPTH	HEIGHT	PIT	O.H.
IN KG.		A	B	C	D	E	F	G	H		
4	272	1900	1300	1100	700	700	2900	3300	2500	1600	4800
6	408	1900	1700	1100	1000	700	2900	3700	2500	1600	4800
8	544	1900	1900	1300	1100	800	2900	3900	2500	1600	4800
10	680	1900	2100	1300	1350	800	2900	4100	2500	1600	4800
13	884	2500	1900	2000	1100	900	3500	3900	2500	1600	4800
16	1088	2500	2100	2000	1300	900	3500	4100	2500	1600	4800
20	1360	2500	2400	2000	1500	2000	3500	4400	2500	1600	4800

All Dimension are in mm. This is General Data, it may be changed without notice. All hoist way walls should be minimum 230 mm brick or 150 mm R. C. C.

