

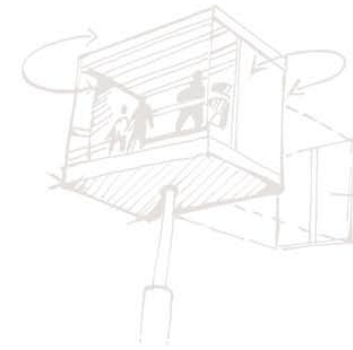
# Hydraulic Elevator

## For Low Rise

Looking for a low-maintenance elevator? Hydraulic lifts provide the advantages of being relatively inexpensive, safe and easy to maintain. They're very convenient and cost-effective solution for low-rise buildings with low traffic.

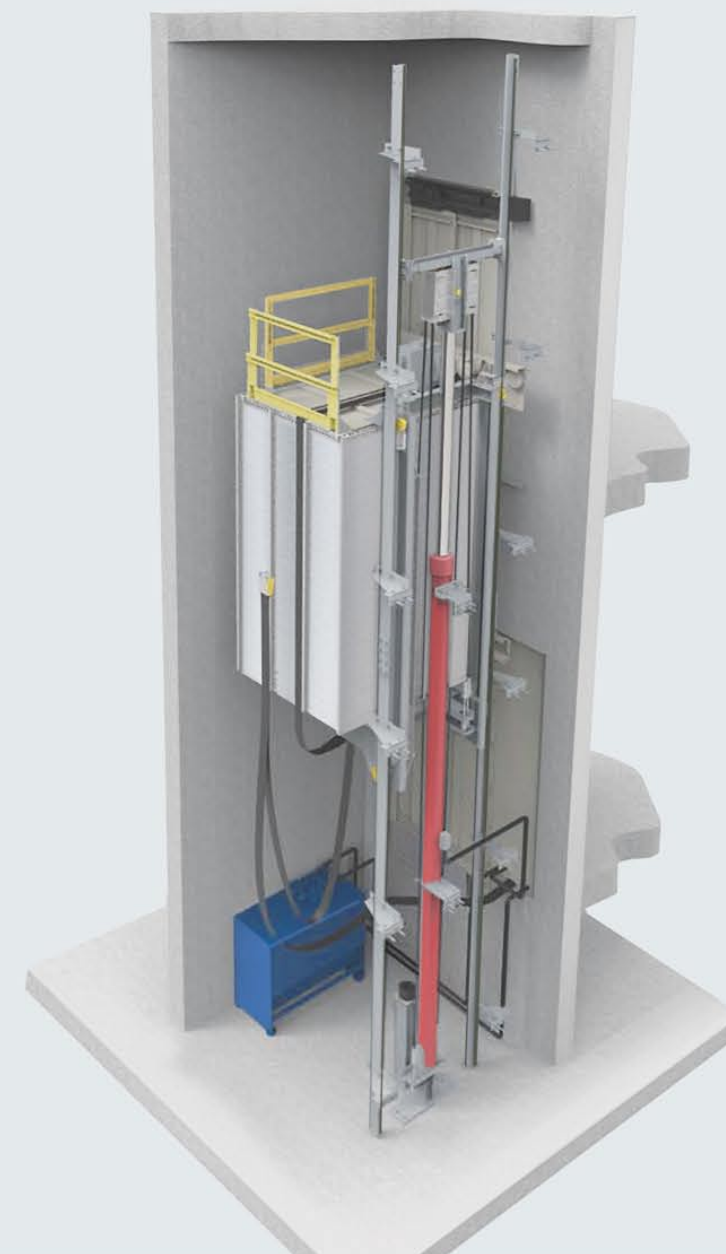
Hydraulic elevators have been rated the safest option for home elevators. They boast superb user friendliness and easy access machine room located at the basement. Once they are put in place, hydraulic elevators provide the smoothest rides possible.

[www.expresslift.co.in](http://www.expresslift.co.in)



### Express hydraulic lifts gives you:

- ▶ Safe, secure and powerful vertical transportation.
- ▶ Low installation and maintenance cost compared to a traction lift.
- ▶ A longer operating lifetime.
- ▶ Comfort and low noise.
- ▶ Simple & fast installation.
- ▶ Single-time phase-3 power (for ascending) and phase-1 (for descending).
- ▶ Low unit cost, even with minimal inventory.



### Advantages & Benefits



Machine Room Not Required



No Maintenance.



Power Saving



Electric Power Not Required in Down Direction.



100% Safe System.



Easy & Fast Installation.

**Salient Features**

- ▶ Wide mass range
- ▶ Simple, robust design without mechanical springs.
- ▶ Light weight.
- ▶ Minimum overall height.
- ▶ Technical support and buffer design consultancy.
- ▶ Controlled peak deceleration.

40%  
Energy Saving

Low  
Noise

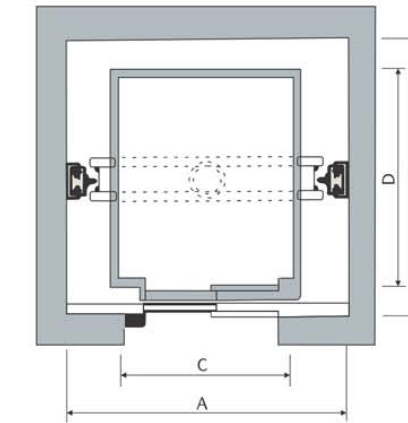
Eco  
Fraindly

**Center Bore Type (Direct)**

It is a direct suspension with a simple or split piston. It is the simplest solution of suspension for any load.



Hydraulic Control Panel



Person	Capacity Kg.	Shaft - W (A)	Shaft-D (B)	Car-W (C)	Card-D (D)
3	225	1200	1200	800	900
4	300	1250	1350	850	1050
5	375	1400	1400	1000	1100
6	450	1500	1500	1100	1150
8	600	1500	1700	1100	1400
10	750	1600	1850	1200	1550
12	900	1700	1950	1300	1650
15	1125	1700	2300	1300	2000
20	1500	1800	2700	1400	2400
24	1800	1900	2800	1500	2500

PIT : 1500 mm • O.H. : 4000 mm  
(Pit & O.H. change the technical specification)



Cylinder



Power Pack Unit



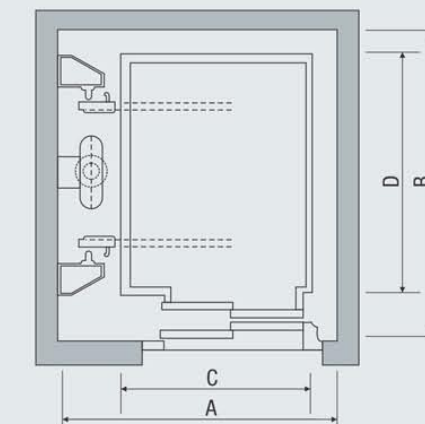
Pulley



Valve

**Roping Type**

It is a single side direct suspension with a simple piston for regular loads and short travels of maximum 4 meters.

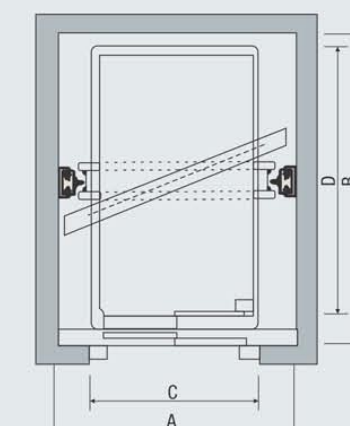


Person	Capacity Kg.	Shaft - W (A)	Shaft-D (B)	Car-W (C)	Card-D (D)
3	225	1500	1500	800	900
4	300	1550	1550	850	1050
5	375	1700	1700	1000	1100
6	450	1800	1800	1100	1150
8	600	1800	1800	1100	1400
10	750	1900	1900	1200	1550
12	900	2000	2000	1300	1650
15	1125	2000	2000	1300	2000
20	1600	2100	2100	1400	2400

PIT : 1200 mm • O.H. : 4000 mm

**Roping Type**

It is a single side direct suspension with dual simple pistons for heavy loads and short travels of maximum 4 meters.



Person	Capacity Kg.	Shaft - W (A)	Shaft-D (B)	Car-W (C)	Card-D (D)
10	750	1900	1950	1200	1550
12	900	2000	2050	1300	1650
15	1125	2000	2400	1300	2000
18	1350	2050	2650	1350	2250
20	1500	2100	2800	1400	2400
26	2000	2300	3000	1600	2600
33	1700	2500	3200	1700	2800
40	300	2700	3400	1900	3000

PIT : 1500 mm • O.H. : 4000 mm

